

## Shutoff valve type A140 / A150

### Application and function

The area of application comprises the entire product range of transparent and bicolour level gauges. They are used to shut off the level gauge.

### Technical basic equipment

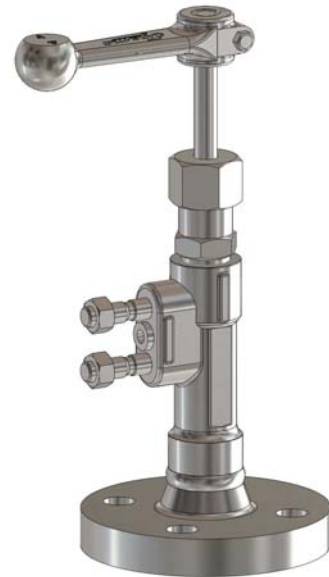
- Body material carbon steel, material as per DIN or ASME
- Inner parts of valve stainless steel
- Handlever Aluminium
- Process connection DN25 as per DIN
- Self-closing ball for automatic shutoff in case of glass or mica break
- Version with backseat to release gland packing

### Available (optional) versions

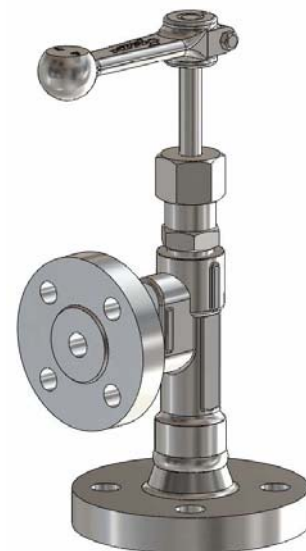
- Quick closing spindle
- Other process connections as per DIN or ASME, butt welding end and socket welding

### Technical data

Allowable pressure	PS	[bar]	50	80
Allowable temperature	TS	[° C]	265	296

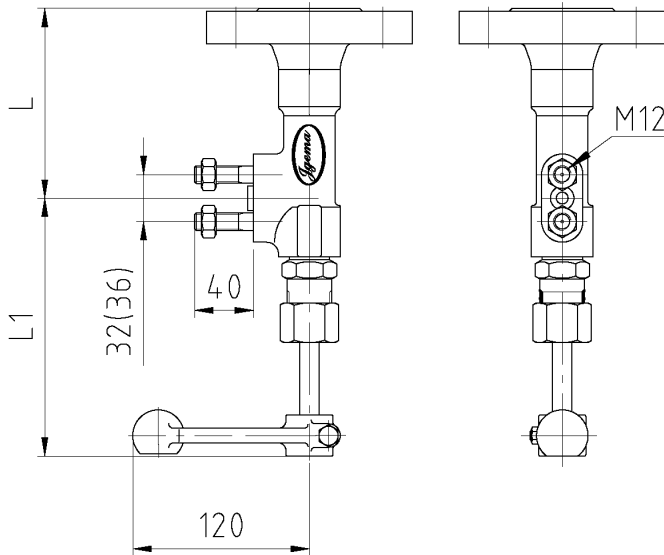


A140

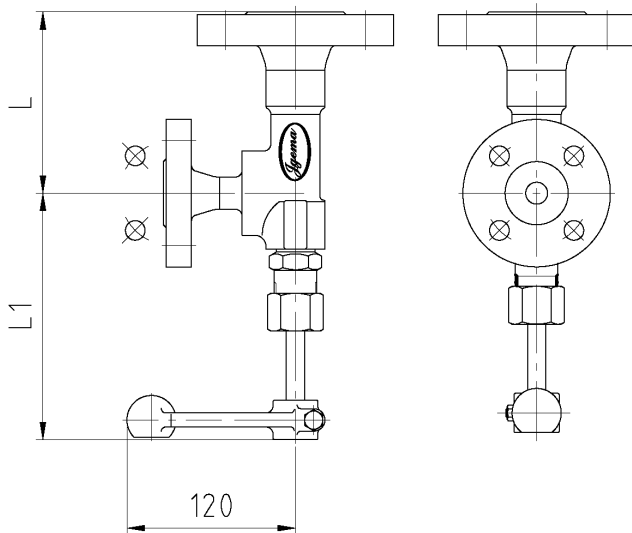


A150

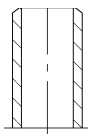
**A140 mit DIN-Flansch**



**A150 mit DIN-Flansch**

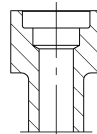


**Welding end**



Welding end DIN 3239  
Butt welding end ASME B16.25

**Socket Welding**



Socket welding  
SW ASME B16.11

Allowable pressure PS [bar]	Flange	L [mm]	Welding end	L [mm]	L1 [mm]
50	DN25 DIN 2638-E	130	DIN 3239	150	175
80	DN25 DIN 2638-E	130	DIN 3239	150	175

